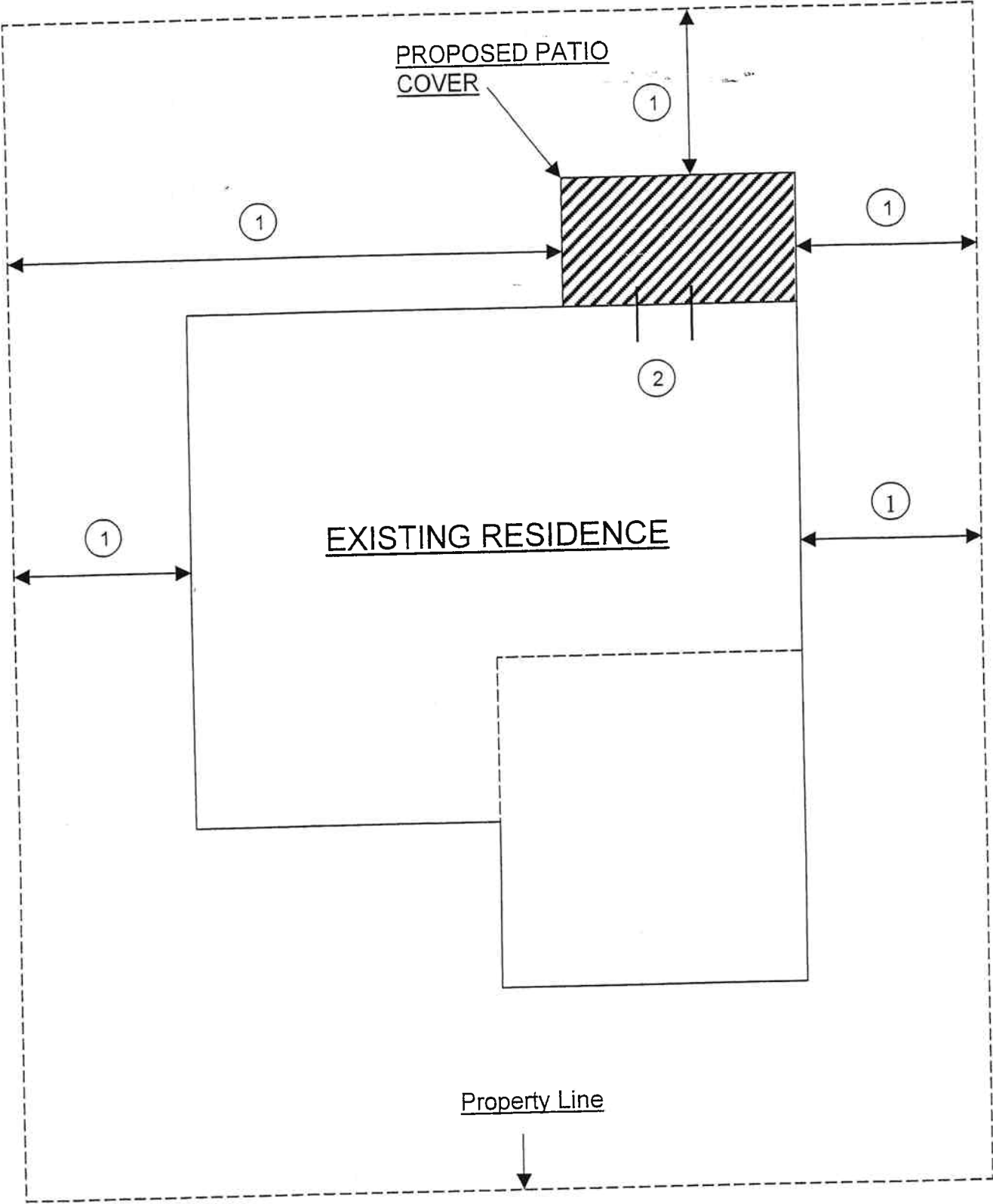


# PATIO COVER SITE PLAN



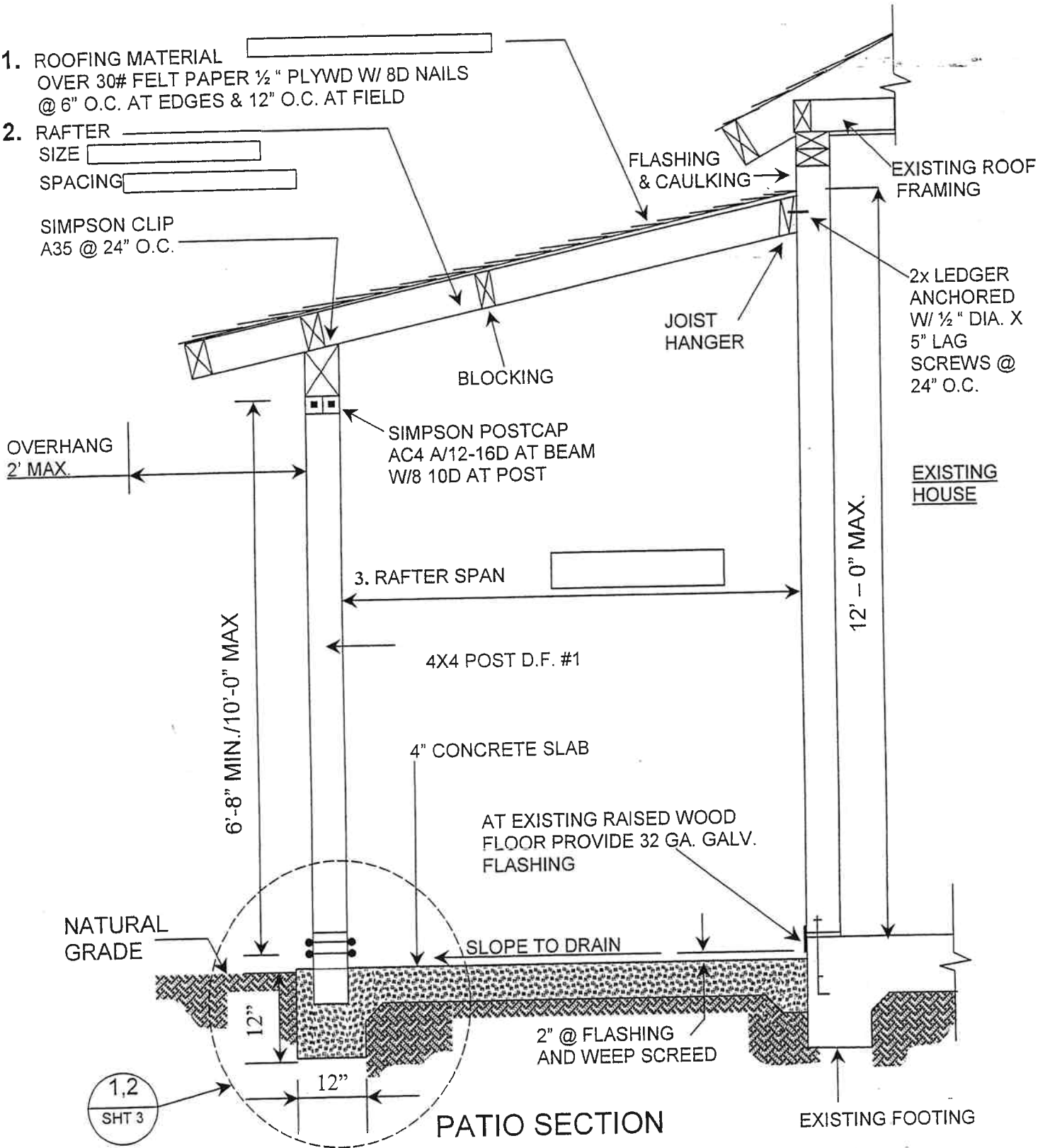
NOTE: INFORMATION REQUIRED

- ① SPECIFY DISTANCE
- ② SPECIFY WINDOW SIZE IF ANY

1. ROOFING MATERIAL  
OVER 30# FELT PAPER 1/2" PLYWD W/ 8D NAILS  
@ 6" O.C. AT EDGES & 12" O.C. AT FIELD

2. RAFTER  
SIZE [ ]  
SPACING [ ]

SIMPSON CLIP  
A35 @ 24" O.C.

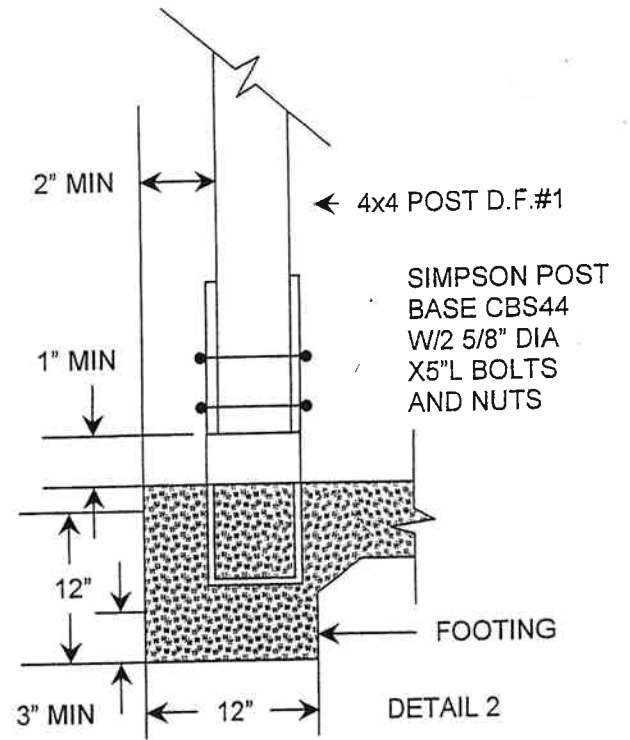
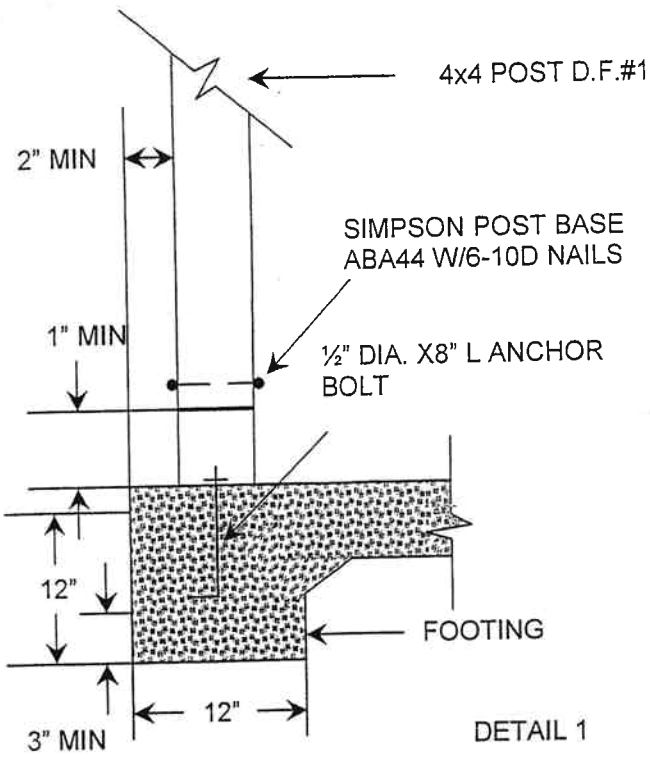


1,2  
SHT 3

**PATIO SECTION**

**INFORMATION REQUIRED**

1. SPECIFY ROOFING MATERIAL  
SLOPE 2:12 OR LESS REQUIRES ROLLED ROOFING  
SLOPES GREATER THAN 3:12 MAY USE ASPHALT SHINGLES OR ROLLED ROOFING
2. SPECIFY RAFTER SIZE SPACING (SEE TABLE, SHEET 3)
3. SPECIFY RAFTER SPAN (14' MAX - SEE TABLE SHEET 3)



SPAN	RAFTER SPACING	RAFTER SIZE	LEDGER SIZE
6'-0" THRU 12'-0"	16" O.C.	2x6	2x8
6'-0" THRU 10'-0"	24" O.C.	2x6	2x8
10'-0" THRU 14'-0"	16" O.C. 24" O.C.	2x8	2x10

RAFTER SPAN TABLE (D.F.#2)

POST SPACING	BEAM SIZE
UP TO 8'-0"	4x8
8'-1" TO 10'-0"	4x10

RAFTER SPAN TABLE (D.F.#1)